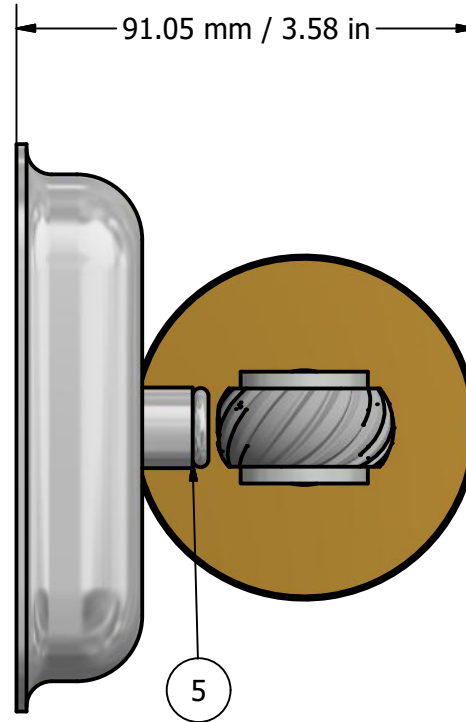
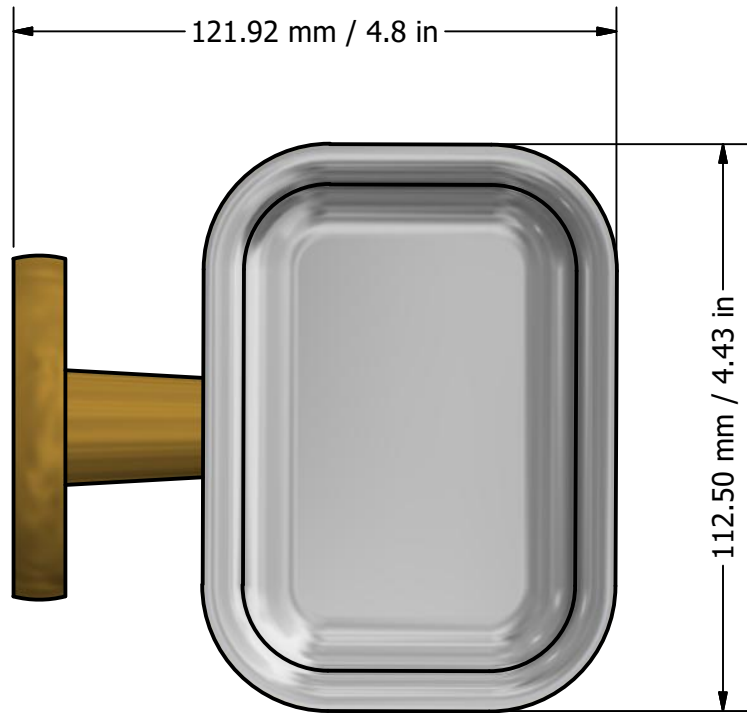
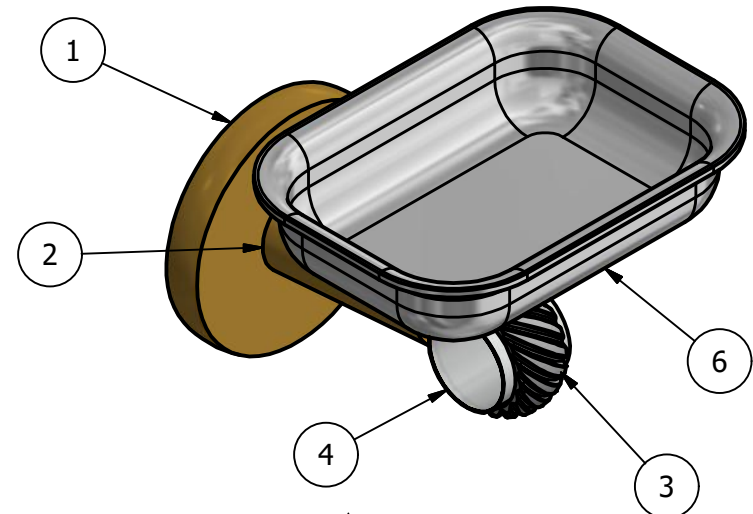


PARTS LIST			
ITEM	QTY	PART NUMBER	DESCRIPTION
1	1	BPRD	BACKPLATE
2	1	CL-TB	NECK
3	1	RGTWD-1	RING WITH NEW SIZE HOLE
4	1	AC-HHUB	ACRYLIC HUB
5	1	CRRD-12	CHECK RING
6	1	HRRTS	SOAP DISH HOLDER



UNLESS OTHERWISE SPECIFIED	
.X	± .3mm
.XX	± .15mm
.XXX	± .008mm

UNIT IS IN MM.

DRAWN	10-17-18	IM	MATERIAL:	BRASS
CHECKED	10-17-18	P.D.	DESCRIPTION:	
APPROVED	10-17-18	R.A.		



THIRD ANGLE PROJECTION

Clearview Collection Wall Mounted Soap Dish Holder w/ Twisted Accent			FINISH	TBD
			QTY	TBD
		DRAWING NO.		REV
		CV-32T		0
SCALE	1.5:1	SHEET:	1 OF 1	A4

APPROVED FOR PRODUCTION
By: RICHARD PAUL
Date: 10-17-18